

## AMENDED SPECIFICATION.

Reprinted as amended in accordance with the decision of the Comptroller-General dated the 10th day of October 1906.

*(The Amendments are shown in erased & italic type.)*

N<sup>o</sup> 23,431\*



A.D. 1900

*Date of Application, 21st Dec., 1900*

*Complete Specification Left, 21st Oct., 1901—Accepted, 21st Dec., 1901*

### PROVISIONAL SPECIFICATION.

#### **An Improved Game of Skill and Apparatus for Playing the same.**

I HENRY JOHN GERARD PESSERS of No. 6 West Bank Gardens, Folkstone Road Dover, in the County of Kent, Manufacturer, do hereby declare the nature of this invention to be as follows:—

5 My invention relates to an improved game of skill, and apparatus for playing the same. The object of my said invention is to produce an amusing game of skill with a coin freed device for delivering a prize or the like. I am aware that coin freed delivery devices are not novel, and I do not intend to make an especial claim therefor, except in combination with the mechanism hereinafter to be fully described.

10 In carrying my invention into effect I construct a vertical board, with two guide paths, between which are pins or stops, and a moveable cup, which may be moved to the right or left hand by a suitable handle or lever arrangement and constitutes the skill of the game.

The coin, of predetermined value is inserted into a slot in the case enclosing the 15 apparatus, which is preferably provided with a glass or other transparent front to show the progress of the game. The coin, dropping upon a balanced lever, releases a ball, which is placed in shooting position by the aforesaid release of a lever or plunger, rendering it free to be shot vertically by means of a spring released by a trigger outside of the case. The ball is thus shot between the guide paths, or in 20 one path in which case if the operator is adept in moving the freely moveable cup to catch the ball as it falls through the pins, said ball may be diverted from the semicircular cup, and falling by gravity through a suitable trough or chute drops upon the lever of a gravity freed drawer or slide, which being in connection with a receptacle for tokens or prizes, delivers one to the operator. If the ball shoots over 25 by a retractile pin, and another coin has to be inserted to secure a further trial of the game, by the release of said ball.

The game may be described as follows, that is to say;

After the coin has been inserted into the slot, it drops upon a coin freed lever, 30 suitably counterpoised, then a knob or plunger is pulled (being thus released) which retracts the pin holding the ball and projects another or guard pin, these being coupled or linked so that one is withdrawn and the other projected, but the object is to prevent the operator from shooting the ball until the coin freed device has been locked. So long as the ball passes after the impulse between the guide paths 35 it may always be played again since it returns to shooting position. The cup is arranged upon a tube or plunger of free movement outside the case, and when the ball descends through the spaces between the pins, the art or skill is to move said cup to catch it, and thus transfer it to the token or prize releasing chute.

[Price 8d.]

*Pessers's Improved Game of Skill and Apparatus for Playing the same.*

I do not confine myself to pins in carrying out my invention, but may use rings, polygons or the like to increase the skill required to operate the game, and may modify the details to suit various conditions of application.

Dated this 19 day of December 1900

FRED<sup>k</sup> WALKER,  
73 St Stephen's Road Upton Park London. E.  
Agent for the Applicant.

5

## COMPLETE SPECIFICATION (AMENDED.)

**An Improved Game of Skill and Apparatus for Playing the same.**

I, HENRY JOHN GERARD PESSERS, of Rue de la Province, Antwerp, Belgium, 10  
Manufacturer, late of 6 West Bank Gardens, Dover, do hereby declare the nature  
of this invention and in what manner the same is to be performed, to be  
particularly described and ascertained in and by the following statement :—

My invention consists of an apparatus for playing a game of skill in which balls,  
set in motion by the player, may, if propelled with proper force, be caught in a 15  
cup by the said player, after which they are caused to travel down a groove  
wherein they operate mechanism for the automatic delivery of a prize or its  
equivalent. When the ball or series of balls has been operated, it is out of play,  
but can be again brought into play by coin-freed mechanism, all substantially as  
hereinafter described. 20

In the accompanying drawings :—

Fig. 1 is a front elevation of the apparatus, and

Fig. 2 is a rear view shewing the mechanism, the back of the case being  
removed.

The device consists of a rectangular case 1, of any suitable material ; this case 25\*  
is divided in depth into two compartments by a partition 2, the front compartment  
being closed by a glazed frame or door, whilst the rear compartment is closed  
by means of a back not shewn.

Upon the partition 2 are fixed an inverted U-shaped frame or bar 4 and two  
bars 5 and 6 the upper ends of which are bent so that they are parallel to the 30  
frame 4, about as shewn, there being a central opening 16, intended to allow the  
balls to pass between them.

Under a cross piece 7 is fixed a bell crank lever 8, provided with a handle 9  
projecting outside the case. This lever is supported on a pivot 10 fixed to the  
partition 2, and its shorter arm is connected to a spring 11. Upon the longer arm 35  
of the lever is a striker 12, made of elastic material, the upper end of which enters  
an aperture in the cross piece 7 at a point 13 where the ball to be next propelled  
is situated. By depressing the handle 9 and then releasing it, the spring 11 will  
cause the striker 12 to more or less smartly strike the ball and project the latter  
up the groove 14, formed by the frame 4 and bar 5, and, according to the 40  
momentum imparted to it, said ball will either travel completely round the  
frame 4 and down the groove 15, or it will fall through the opening 16 between the  
bars 5 and 6, or, if it has not been propelled with sufficient force to reach the said  
opening 16, it returns again through the groove 14 to the starting point, whence  
it can be again propelled. If the ball be propelled with too much force, it falls 45  
down the groove 15 until it comes against a stop 17, situated in an inclined  
passage 18.

The object to be accomplished by the player is to propel the ball with just such  
force as to cause it to fall through the opening 16 between the bars 5 and 6 and  
then to catch said ball in a cup or equivalent 20, but to increase the difficulty of 50  
accomplishing this I provide a number of pins 19 about immediately under the

*Peppers's Improved Game of Skill and Apparatus for Playing the same.*

opening 16 which will divert the course of the ball in one direction or another and thus render the catching of said ball comparatively very difficult. The cup 20 is fixed to a slide adapted to be moved horizontally in a guide or slot 21 in the manner herein-after described, and should the player succeed in catching the ball, it passes, when the cup returns to its normal position, into a passage where it sets in motion a distributing device, which delivers a metal check entitling the player to a prize. Behind the slide 20 and made integral therewith is a spindle 22 which, by a link 23, is connected to the end of a lever 24 having three arms in the form of a T. This lever is pivotally supported at 25 and its arm 26 is connected to a spring 27, whilst the other arm 28 is joined to a link 29 whose lower end is pivotally connected to a lever 30 mounted on a spindle 31 which is carried by a support 32 suitably fixed to the partition 2.

The lever 30 projects outside the case 1 through a slot in the latter and is formed or provided with a handle 33, the arrangement being such that, by depressing said handle more or less, any required position can be given to the cup 20 along its horizontal slide, and that with great rapidity.

When the cup receives a ball, the handle 33 is released and the cup is returned to its original or normal position by the action of the spring 27; the ball is then in line with a groove 34 into which it falls and which leads to the opening 35 (Fig. 1) from whence it falls upon the inclined plane 18, where it is stopped by the peg 17.

In its passage along the groove 34, the ball depresses one end of a lever 36, which is carried on a pivot 37, the effect of which is to raise the other end of said lever (which latter end normally hooks in or engages with a plate 38) and by thus raising or disengaging the normally depressed end from said plate the latter may be drawn out to a sufficient extent.

The plate 38 when being drawn out carries with it the bottom check of a pile of brass or other checks arranged in the vertical tube or receptacle 39, which check is deposited on to a small bracket 40 from which the player removes it. The plate 38 after having been pulled outward and released is drawn back into its normal position by the spring 48 and is again engaged by the lever 36.

To play this game, the player presses upon the handle 9 with the right hand, whilst, with the left, he moves the lever 33, trying to catch the ball in the cup should the said ball pass through the rows of pins. When all the balls have been used in the game in the hereinbefore described manner, they collect behind one another to the rear of the peg 17 and on the inclined plane 18, and, in order to release the balls, that is to say to restore them to the position from which they can be propelled, it is only necessary to temporarily move the peg 17 out of the way. For this purpose said peg is arranged so as to be capable of being drawn into the partition 2, and, to accomplish this, the peg is connected beneath the partition to a lever or equivalent 41 mounted on a spindle 42 which is pivotally carried in bearings 43, 44, so that the movement or partial rotation of the spindle 42 will draw the peg out of the way of the balls. This spindle 42 is operated by means of a plate 45 which is provided with a handle 46 to enable the player—after having inserted a coin in the slot 47, as will be hereinafter described—to operate it. Normally the plate 45—which is for this purpose formed with teeth or equivalents—is locked or prevented from being operated by a pawl 60 which engages at one end with said teeth and, which pawl may be raised out of engagement with the plate 45 by inserting a coin in the slot 47, which coin travels down a suitable chute and falls on the free end of the pawl 60 thereby raising the opposite end of said pawl out of engagement with the plate 45 which the plate 45 can then be moved and the peg 17 drawn to one side to permit the balls to roll into the position shown in dotted lines in Fig. 1 whence they are admitted to the propelling position at 13.

The spindle 42 also carries a lever or equivalent 49 to which is fixed a peg 50, in such a manner that when the spindle 42 is moved or rotated in order to withdraw the peg 17, the peg 50 will be caused to project into the channel 14 and

*Pessers's Improved Game of Skill and Apparatus for Playing the same.*

thereby prevent any balls from being brought into play. When the balls have descended the inclined plane 18 and have arrived at the bottom thereof, the handle 46 is released and the spring 51 returns the plate 45 to its original position, the spindle 42 also returns to its normal position and the peg 17 again projects over the inclined plane 18 whilst the peg 50 is withdrawn into the 5 partition.

The balls are now situated at the bottom of the inclined plane 18 and are prevented from entering the passage 14 by a plate 52 which is mounted on a spindle 53, which spindle also carries a rocking lever 54 the upper arm of which is normally drawn towards the side of the case by a spring 55 while to the lower arm a slid- 10 able rod 56 having a handle 57 is pivotally attached, the arrangement being such that by momentarily pulling the handle 57 the plate 52 will be swung open and a ball roll into the passage 14, the handle 57 being released before a second ball has time to also enter said passage 14.

*I am aware that it has previously been proposed to provide coin-freed games in 15 which balls, after being released by coin-freed mechanism, have been projected upward with a view to being caught in receptacles situated at various positions on a vertical bagatelle board, and I make no broad claim to any such devices.*

*I have, however, by my invention provided a sliding ball-catching cup under the direct control of the operator, upon the skilful manipulation of which sliding cup 20 the operator's success depends.*

Having now particularly described and ascertained the nature of my said invention and in what manner the same is to be performed, I declare that what I claim is:—

1. A coin-freed apparatus for playing a game of skill, in which a number of balls 25 may be propelled upwardly by the player into a channel formed by an inverted U-shaped frame and two bars parallel thereto, so as to fall through an opening left between said two bars, a series or rows of pins through or between which said balls must then pass, a moveable cup or equivalent, the position of which is controlled by the player, wherein to catch said balls after having passed the pins, a distributing 30 device operated by said balls and which permits a metal check to be drawn from the machine, and a stop device operated by a coin, all for the purposes and substantially as described and illustrated.

2. In an apparatus such as claimed in Claim 1, a case divided into two parts by a vertical partition, an inverted U-shaped frame, two bars parallel to said frame and having a clear space or opening between their upper ends, a series or rows of pins 35 fixed to the partition and situated under said opening, a horizontal slot in the partition, a cup adapted to slide along said slot and intended to receive the balls, inclined planes at the bottom of the bars arranged so as to conduct the balls into a lower channel, a lever by means of which the balls are propelled and a coin-freed 40 stop device, all for the purposes and substantially as described and illustrated.

2. 3. In apparatus for playing a game of skill as claimed in Claim 1, the arrangement of two bars curved at the top and leaving a free central space for the passage of the balls, several rows of pins under said space, a moveable cup or 45 equivalent fixed to a slide and intended to catch the balls whilst falling, the said slide being operated by the player by means of a T-shaped lever one arm of which is connected thereto by a link, a channel into which the balls fall after having been caught, and a lever within said channel operated by the falling ball, all for the purposes and substantially as described and illustrated.

4. In the apparatus claimed in Claim 1, a stop-peg situated above an inclined 50 plane situated at the bottom of the apparatus and preventing the balls played from returning to their original and normal position, the said peg being connected by means of a lever fixed to a spindle carried in two bearings this spindle when moved or rotated causing said peg to be drawn into the partition in order to leave a free passage for the balls, a coin-operated pawl, and a stop adapted to prevent a ball 55

---

*Pessers's Improved Game of Skill and Apparatus for Playing the same.*

---

~~being propelled whilst the return passage is open, all for the purposes and substantially as described and illustrated.~~

Dated this 21st day of October, 1901.

CHARLES BAUER, IMRIE & Co.,  
The City Patent Office,  
72, Cannon Street, London, E.C.  
Agents for the Applicants.

5

[This Drawing is a reproduction of the Original on a reduced scale.]

REGISTERED  
PATENT OFFICE  
JAN 11 1906

Fig. 1.

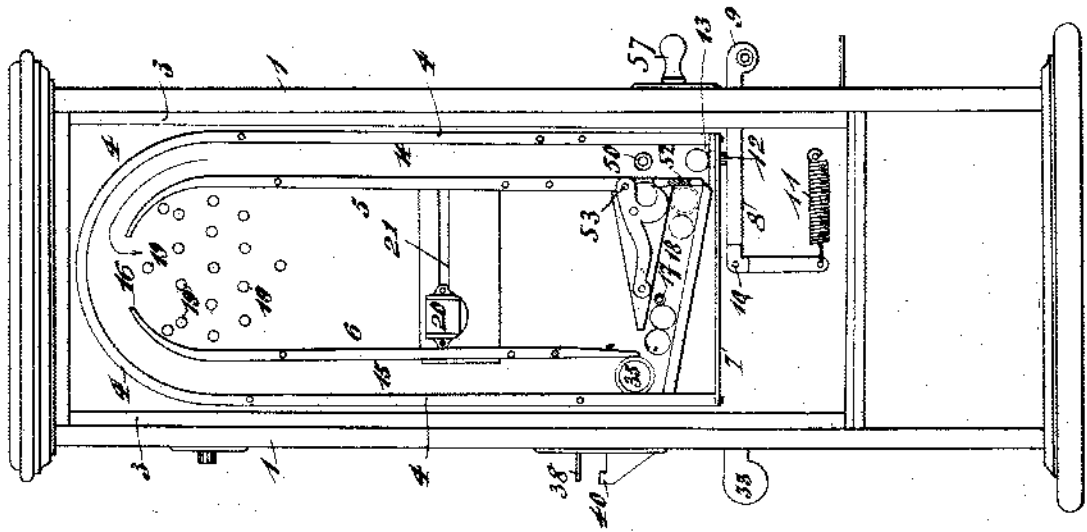


Fig. 2.

