

Application Date: June 30, 1936. No. 18084/36.

471,339

Complete Specification Left: June 11, 1937.

Complete Specification Accepted: Sept. 2, 1937.



PROVISIONAL SPECIFICATION

Improvements in and relating to Coin Freed Amusement and Vending Apparatus

I, ALFRED LEONARD WALTON, of 5, Second Avenue, Blackpool, in the County of Lancashire, a British Subject, do hereby declare the nature of this invention to be as follows:—

This invention relates to coin freed amusement and vending apparatus of the multiple type adapted for the use of a number of players as described in my provisional specification No. 11931/1935, wherein merchandise, prizes or the like are displayed on a moving tray and caused to move past a number of independently operated means adapted to transport the said articles from the tray to the delivery chute by the successful manipulation of a dispensing device.

The object of this invention is to pro-

vide an improved form of dispensing device and tray, so that articles may be pushed from the said tray into the delivery chute instead of being lifted by a grab, bucket or the like over the rim of the said tray.

It comprises essentially, in combination, a tray of inclined or conical form provided with an upturned rim at one edge only of the base, and a dispensing device comprising a movable slide adapted to be partly controlled by the player, and partly by coin freed automatic means, and adapted to push articles from the open edge of the said tray into the delivery chute.

Dated the 29th day of June, 1936.

ALFRED LEONARD WALTON.

COMPLETE SPECIFICATION

Improvements in and relating to Coin Freed Amusement and Vending Apparatus

I, ALFRED LEONARD WALTON, of No. 5, Second Avenue, Blackpool, in the County of Lancashire, a British subject, do hereby declare the nature of this invention and in what manner the same is to be performed, to be particularly described and ascertained in and by the following statement:—

This invention relates to coin freed amusement and vending apparatus of the multiple type adapted for the use of a number of players as described in my Patent No. 455,355, wherein merchandise, prizes or the like are displayed on a moving tray and caused to move past a number of independently operated grabs or the like each adapted to transport articles from the tray to a respective delivery chute when successfully manipulated by a player.

The object of this invention is to provide an alternative form of device for removing the articles from the tray, so that articles may be pushed from the said tray into the delivery chute instead of being lifted by a grab, bucket or the like over the rim of the said tray.

It comprises in combination, a travelling article display tray of annular form,

[Price 1/-]

which may be flat, or inclined upwardly towards its inner edge and preferably provided with an upturned rim at the outer edge to prevent articles from falling from the said outer edge, and a plurality of article ejectors arranged around the said tray, each comprising a pusher which is operable or made operable by insertion of a coin by a player, and adapted to push articles over the open inner edge of the said tray into a delivery chute, the arrangement being such that articles missed by a pusher operated by one player pass within reach of a pusher operated by another player.

Known means are employed for the operation of the pushers, and also for the coin freed part of the apparatus.

A constructional form of this invention is illustrated by way of example in the accompanying drawing, wherein:—

Fig. 1 is a part sectional elevation of one constructional form of this invention.

Fig. 2 is a part sectional plan of the constructional form of this invention shown in Fig. 1.

In both views similar parts are marked with like figures of reference.

Referring to Figs. 1 and 2, an annular tray (1) is carried by a plurality of arms (2) connected to a shaft (3) which is rotatably mounted in a bearing (4), and slowly driven through a worm wheel (5) and a wormwheel (6) by an electric motor (7), the bearing (4), reduction gear, and motor (7), being mounted on a framing (8), which is fixed to a casing (9).

The tray (1) is adapted to carry suitable merchandise, and to travel past the pushers (10) which are mounted upon the rotatable pillars (11), the said pushers (10) being adapted to fall slowly down to the surface of the tray (1) and then swing slowly to the inner edge of the tray (1), so that any article of merchandise lying in the path of the said pushers will be pushed off the inner edge of the tray into the delivery chutes (12), the said pushers then being raised clear of the merchandise and swung radially back to their original position.

Each of the said plurality of pushers (10) is operatively mounted on a fixed stand (13) attached to a part of a panel of the casing (9), and is operated by a player by the insertion of a coin through a slot (14) carried on the outside of each panel of the casing (9), one slot being provided for the operative control of each pusher.

The tray (1) may be flat or may be inclined upwardly towards its inner edge to resist any tendency of the merchandise to creep to the inner edge due to vibration of the said tray.

Known means are employed to operate each of the said plurality of pushers, such as an electric motor and reduction gear

adapted to rotate a crankshaft with a crank connected to the pillar (11) to provide the swing movement of the pusher, and the pusher (10) may fall on to the tray (1) by gravity, and be raised by a chain which may pass over rollers and down the hollow pillar (11) and be connected to a lever operated by a cam on the said crankshaft, the said electric motor being controlled by a suitable switchgear operated by a coin.

No claims are made for the said known means employed in the apparatus.

Having now particularly described and ascertained the nature of my said invention and in what manner the same is to be performed, I declare that what I claim is:—

(1) A coin freed amusement and vending apparatus for a number of players, wherein articles displayed on a travelling tray are moved thereby past a number of independently operated pushers, so that articles missed by a pusher operated by one player pass within reach of a pusher operated by another player.

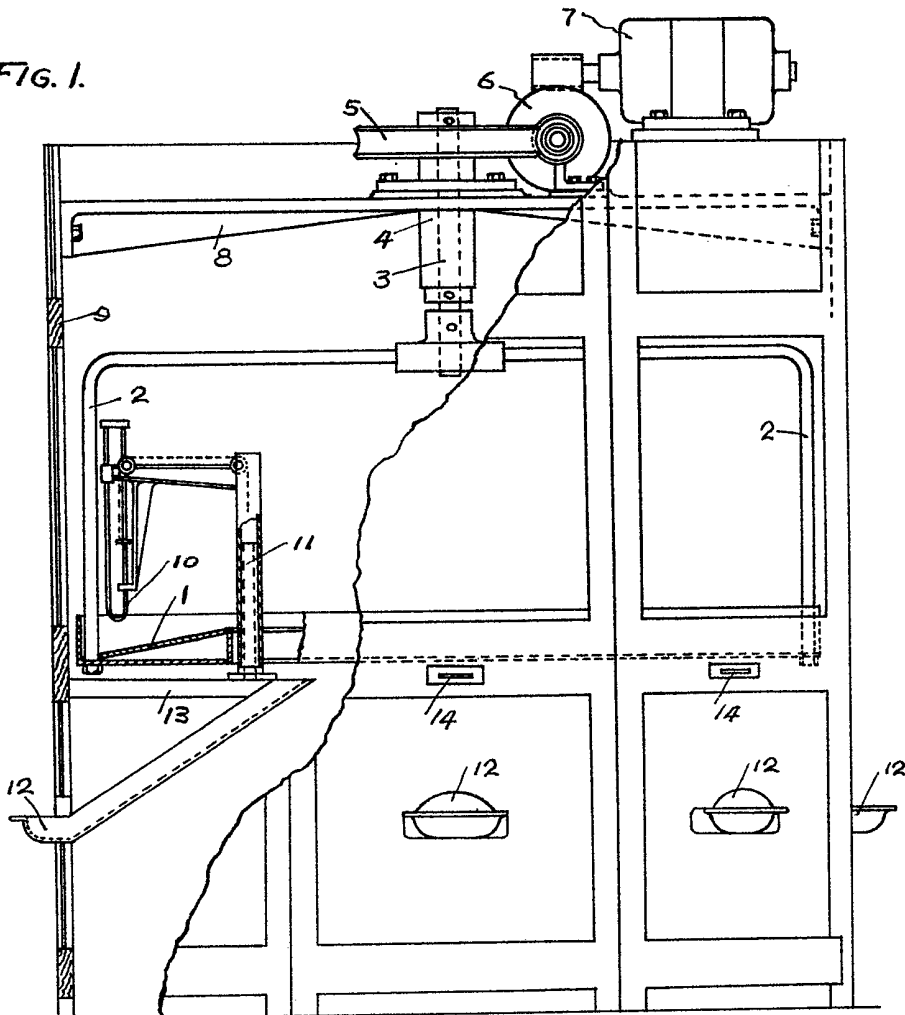
(2). An apparatus as claimed in Claim (1), in which the tray is annular in form, and flat.

(3). An apparatus as claimed in Claim (1), in which the tray is annular in form, and inclined upwardly towards its inner edge.

(4). A coin freed amusement and vending apparatus constructed substantially as hereinbefore described and as shown in the accompanying drawings.

Dated the 7th day of June, 1937.
ALFRED LEONARD WALTON.

FIG. 1.



[This Drawing is a reproduction of the Original on a reduced scale.]

FIG. 2.

